


PRODUCT SHEET

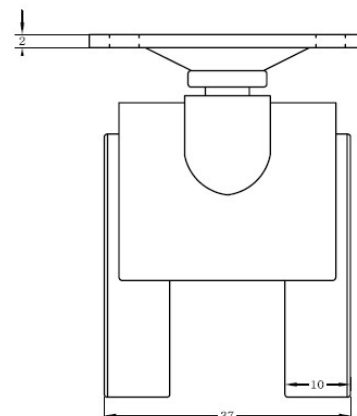
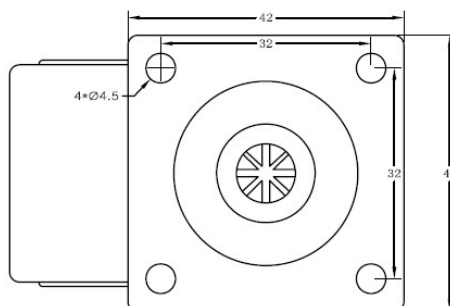
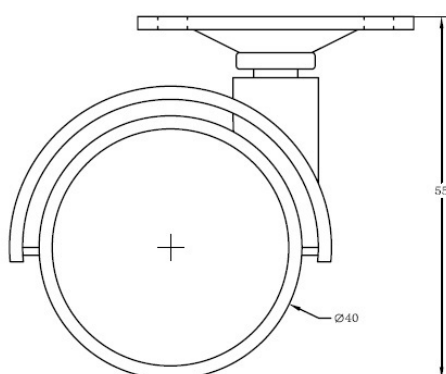
Description:

Twin Wheel Castor $\varnothing 40\text{mm}$, Black PA, Top Pl 42x42x2mm, cc 32x32mm, Mounting Height: 56mm

Item number:

08.04.029-2

Units	Box	Carton	HS Code	Barcode
Pcs.	4	400	8302200090	 5704866005333



SISO A/S

Mileparken 11
DK-2740 Skovlunde
Denmark
VAT: DK 24786013

Phone +45 45 830 900

www.siso.dk
siso@siso.dk

Danske Bank
Nytorv Branch
Copenhagen
SWIFT: DABADKKK

Account no.
4180 3112 112936
IBAN Account
DK7230003112112936